



PNI SafeHome PT82C

Smart relay / Releu inteligent

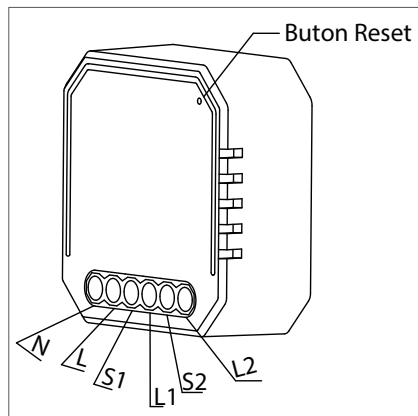
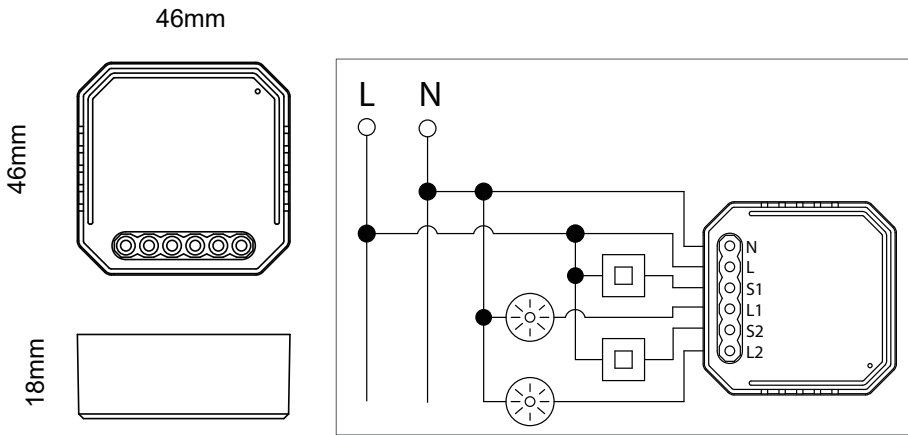


EN	User manual	3
RO	Manual de utilizare	12

Technical specifications

- Rated voltage: 220-240V AC, 50-60Hz
- Rated current: 2x5A
- Maximum load: 2x1150W / 2x150W (for LED bulb)
- WiFi frequency: 2.4GHz
- Operating temperature: $-10^{\circ}\text{C} \sim +40^{\circ}\text{C}$
- Dimensions: 46x46x18mm

Product description



Installation instructions

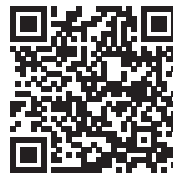
1. Before installing the relay, disconnect the general power supply.
2. Connect the wires according to the diagram above.
3. Restart the power.

Tuya Smart APP

Download the **Tuya Smart app** by accessing Google Play or the App Store or scan the QR codes below:



Android

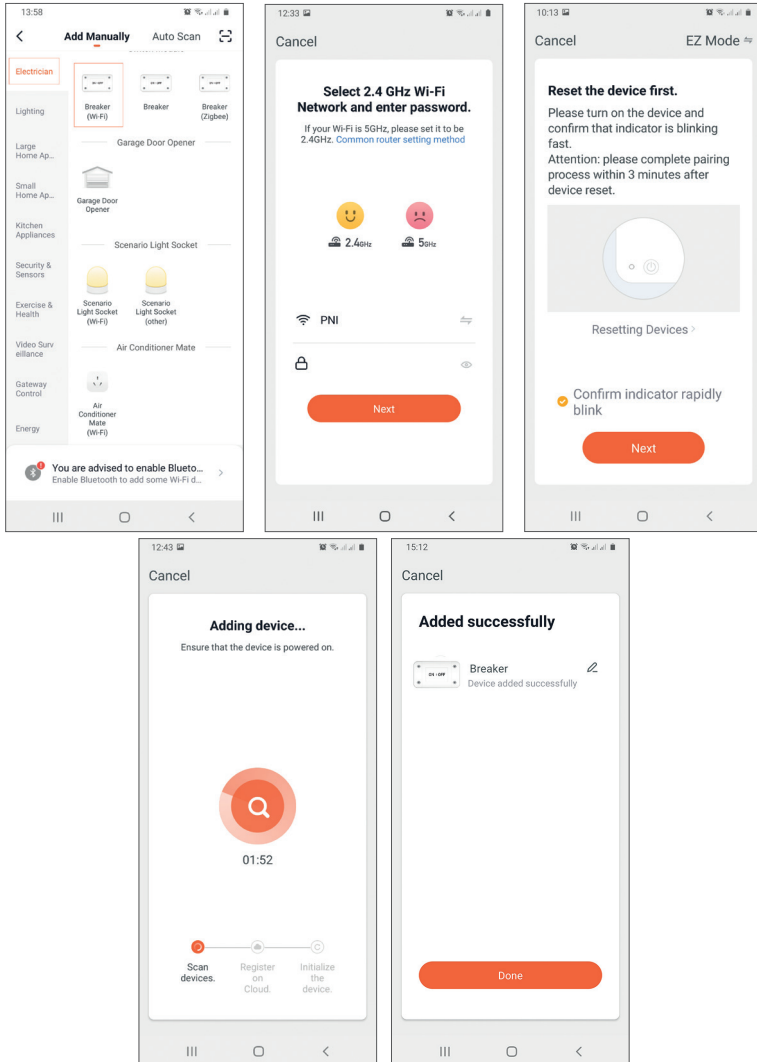


iOS

Add device in Tuya Smart APP

4. Open the application, create an account and log in.
5. Add your device by clicking the **+** icon in the upper right corner of the screen or by clicking the **Add device** button (this button only appears when you do not have any devices added to the application).
6. Select the **Electrician** option on the left side of the screen.
7. From the list of devices on the right side of the screen, select **Breaker (Wi-Fi)**.
8. Select the WiFi network you want to connect to and add the password.
9. In the next interface, in the upper right corner, select the **EZ Mode** option.

10. Reset the relay by long pressing the pairing button. The device is now in pairing mode.
11. Check the **Confirm indicator rapidly blinks** option and click **Next**.
12. The application will scan nearby devices. After identifying your device, you will receive the **Added successfully** confirmation.
13. To finish, click the **Done** button.



Device control in the application

The Tuya Smart application allows remote control of the relay.

Options:

- On/Off
- Timer
- Countdown

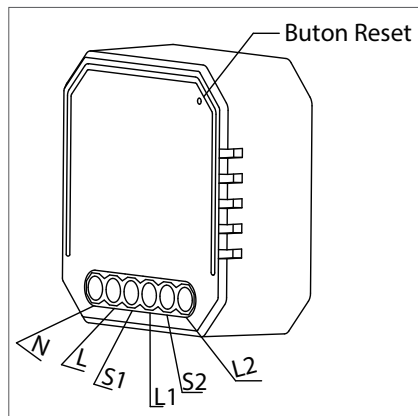
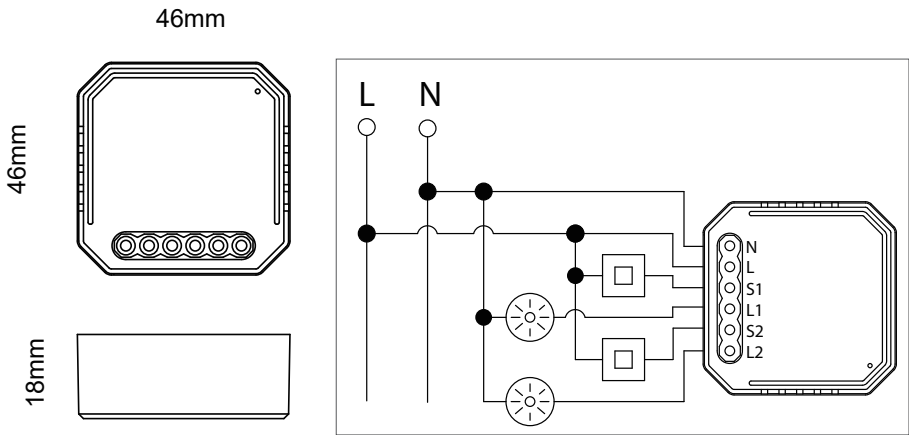
Safety warnings

- Make sure that the total power of the connected electrical devices does not exceed the maximum power supported by the relay (2200W for 230V).
- The installation of the relay must be done only by specialized electricians respecting the local norms.
- Take all safety precautions when installing the relay.
- Protect the relay from moisture and excessive heat. Risk of short circuit.
- Install the relay away from sources of interference (eg microwave oven) that could affect its operation.
- Do not attempt to repair the relay by yourself.

Specificatii tehnice

- Tensiune nominala: 220-240V AC, 50-60Hz
- Curent nominal: 2x5A
- Sarcina maxima: 2x1150W / 2x150W (pentru bec LED)
- Frecventa WiFi: 2.4GHz
- Temperatura de utilizare: -10°C ~ +40°C
- Dimensiuni: 46x46x18mm

Descriere produs



Instructiuni de instalare

1. Inainte de a instala releul, intrerupeti alimentarea generala de curent.
2. Conectati firele conform schemei de mai sus.
3. Reporniti alimentarea.

Aplicatia Tuya Smart

Descarcati aplicatia **Tuya Smart** accesand Google Play sau App Store sau scanati codurile QR de mai jos:




Android

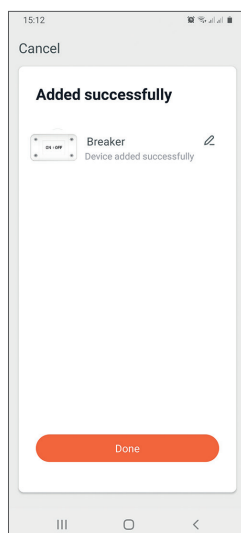
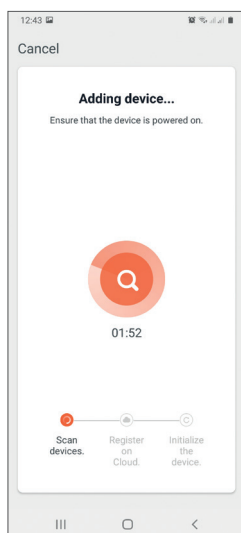
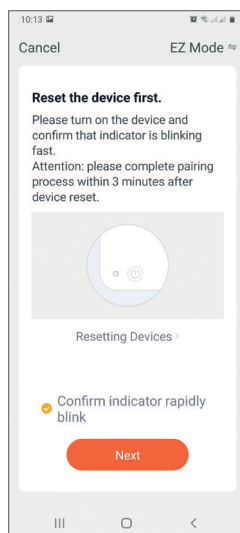
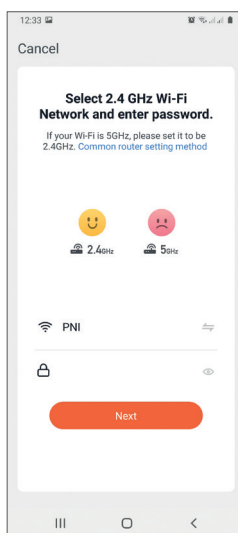
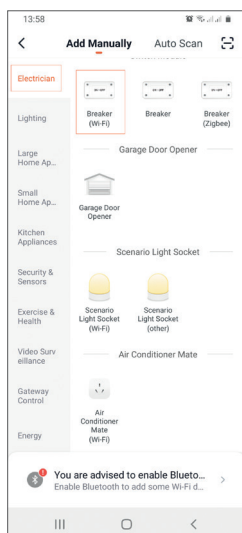


iOS

Adaugare dispozitiv in aplicatia Tuya Smart

1. Deschideti aplicatia, creati-va cont si autentificati-va.
2. Adaugati dispozitivul dvs. apasand pictograma + din coltul dreapta sus al ecranului sau apasand butonul **Add device** (acest buton apare doar atunci cand nu aveti nici un dispozitiv adaugat in aplicatie).
3. Selectati din partea stanga a ecranului optiunea **Electrician**.
4. Din lista de dispozitive din partea dreapta a ecranului, selectati **Breaker (Wi-Fi)** .
5. Selectati reseaua WiFi la care doriti sa va conectati si adaugati parola.

6. In interfața următoare, din colțul dreapta sus, selectati optiunea **EZ Mode**.
7. Resetati releul apasand lung butonul on/off. Acum dispozitivul se afla in modul de imperechere.
8. Bifati optiunea **Confirm indicator rapidly blinks** si faceti click pe **Next**.
9. Aplicatia va scana dispozitivele din apropiere. Dupa ce va identifica dispozitivul dvs., veti primi confirmarea **Added successfully**.
10. Pentru a finaliza, faceti click pe butonul **Done**.



Control dispozitiv din aplicatie

Aplicatia Tuya Smart permite controlul de la distanta al releului.

Optiuni:

- Pornire/Oprire (On/Off)
- Programare orara (Timer)
- Cronometru (Countdown)

Atentionari de siguranta

- Asigurati-va ca puterea totala a dispozitivelor electrice conectate nu depaseste puterea maxima suportata de releu (1150W pe o iesire).
- Instalarea releului trebuie facuta doar de electricieni specializati respectand normele locale.
- Luati toate masurile de siguranta cand instalati releul.
- Feriti releul de umiditate si caldura excesiva. Risc de scurcircuit.
- Instalati releul la distanta de surse de interferente (de ex. cuptorul cu microunde) care ar putea afecta modul de functionare al acestuia.
- Nu desfaceti si nu incercati sa reparati singur releul.

EN:

EU Simplified Declaration of Conformity

SC ONLINESHOP SRL declares that **Smart relay PNI SafeHome PT82C** complies with the Directive EMC 2014/30/EU and RED 2014/53/UE. The full text of the EU declaration of conformity is available at the following Internet address:

<https://www.mypni.eu/products/7247/download/certifications>

RO:

Declaratie UE de conformitate simplificata

SC ONLINESHOP SRL declara ca **Releu inteligent PNI SafeHome PT82C** este in conformitate cu Directiva EMC 2014/30/EU si RED 2014/53/UE. Textul integral al declaratiei UE de conformitate este disponibil la urmatoarea adresa de internet:

<https://www.mypni.eu/products/7247/download/certifications>