

# TRAIL CAMERA



## USER MANUAL



1080P full  
hd

**0.3s**

Fast trigger  
time

**120°**

Detection angle



Rugged  
waterproof

# PACKING INCLUDES



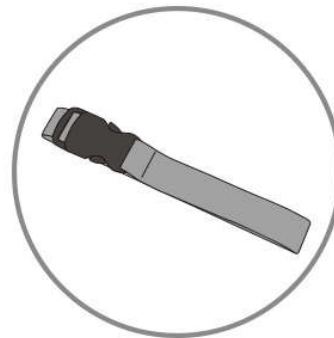
▲  
**Camera**



▲  
**Manual**



▲  
**High gain  
Antenna**



▲  
**Mounting  
Strap**

# SPECIFICATIONS

## Cellular/Wireless

Frequency	4G(FDD LTE,TDD LTE) 3G(WCDMA) 2G(GSM)
-----------	---

## Photo recording

Photo resolution	20 MP
File format	JPG
Time lapse mode	5min/30min/1h
Multi-shot mode	Up to 9 photos per detection
Stamp ( <b>photos and video</b> )	Date, time, temperature (°C/°F) and moon phase
Capture mode	Color by day, black and white by night

## Video recording

Video resolution	1920 x 1080/30fps (FHD)
File format	AVI/H.264
Sequence length	Adjustable from 10 to 90 s
Capture mode	Color by day, black and white by night

## Audio

Sound recording (automatically recorded in video mode)	N/A
---	-----

## Memory storage

Support	<ul style="list-style-type: none"><li>•Internal memory: none</li><li>•External memory : Micro SD card (up to 64 GB)</li></ul>
---------	---

## Viewing

Built-in screen TFT 2.0"

## Power source

Alkaline or lithium batteries 8 x AA

Lithium battery pack Rechargeable battery pack(LIT-900)

External (5.5X2.1mm Jack) DC12V 1000mA ,(6V~12V)

## Detection system

Motion sensor Single PIR

Detection angle 120°

Detection range 25 meters/ 75ft

Trigger speed 0.3 sec

Delay between each detection Adjustable from Instant to 30 min

## Night time illumination system

LEDs 44 LEDs

Flash range <25 meters / 75ft

Exposure Automatic infrared level adjustment

## Optical field of view

120°

## Dimensions

150mm X 100mm X 60 mm

## Recommendations

Operating temperature (-30 °C to + 50 °C) (-22 °F to +122 °F)

Storage temperature (-40 °C to + 60 °C) (-40 °F to +140 °F)



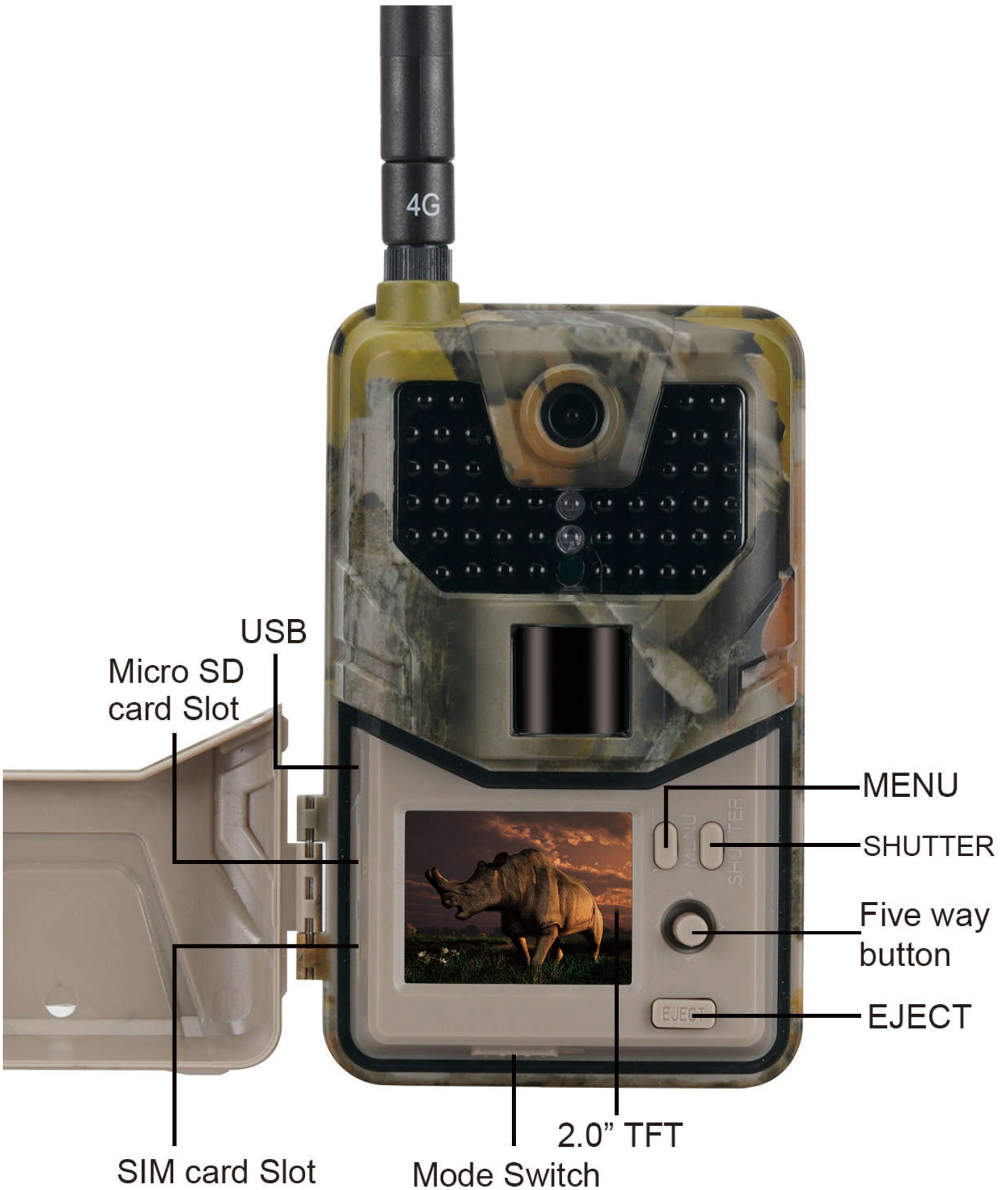
Lens

IR LED

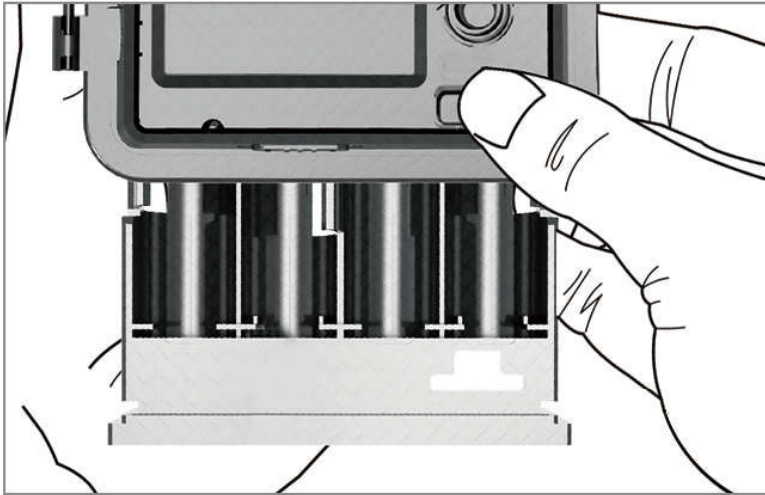
LED  
Indicator

PIR  
Sensor





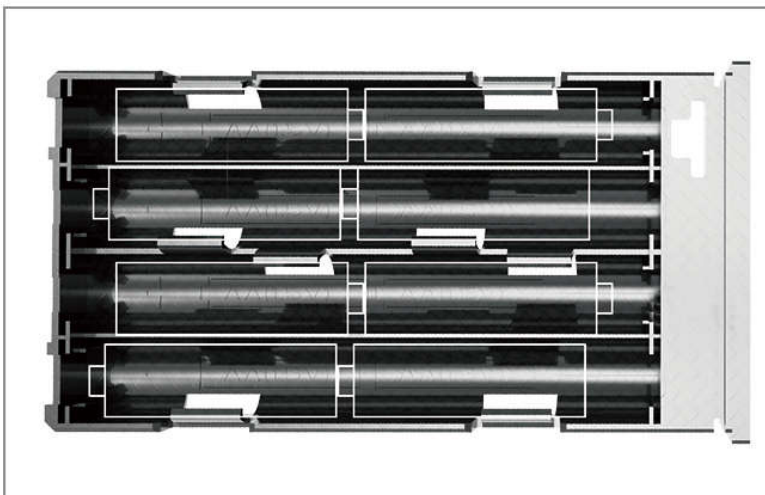
# INSTALLING BATTERIES



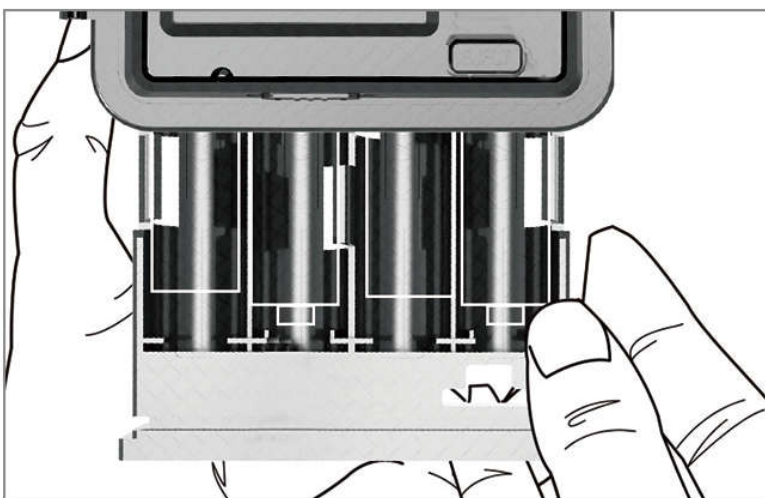
## IF USING AA - ALKALINE BATTERIES

1. Press EJECT , the battery box will pop out

2. Insert the AA batteries accordingly as indicated by the positive and negative battery icons



3. Slide the battery compartment back into the camera housing until it is completely engaged in the slot in the bottom of the housing

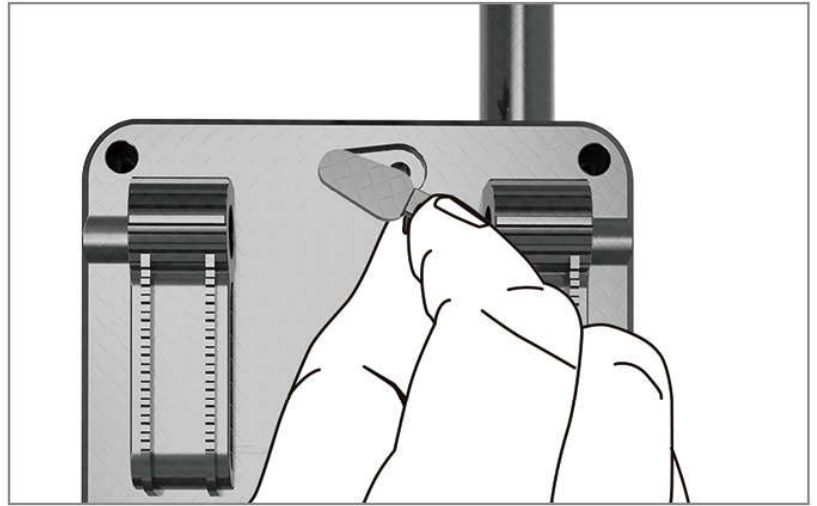


**NOTE:** Installing any of the 8-AA batteries in the wrong direction may cause the batteries to leak acid and could possibly explode, causing camera failure and damage to the battery compartment.

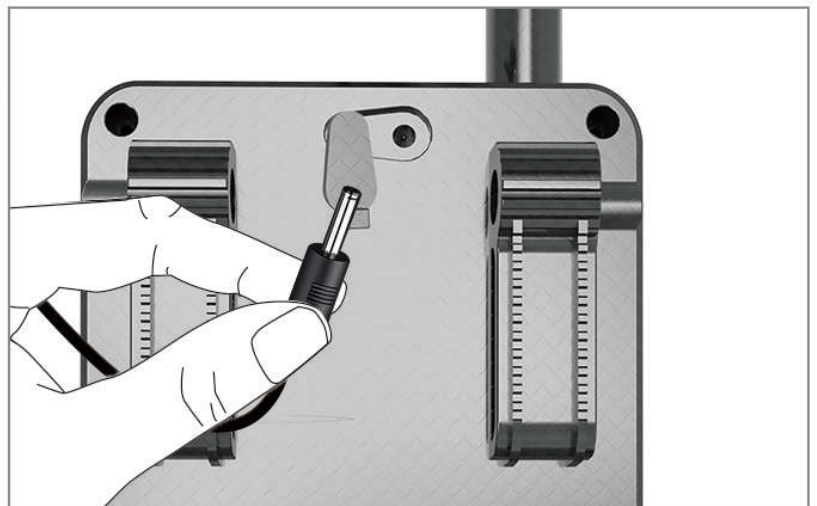
# BATTERIES CONT.....

## IF USING 12V DC POWER SOURCE

1. Remove the rubber port cap at the bottom of the camera .



2. Using a universal 12V DC cord, plug in to the bottom port option.



3. When not in use, replace the rubber port cap at the bottom of the camera to protect the 12V DC universal plug-in port.

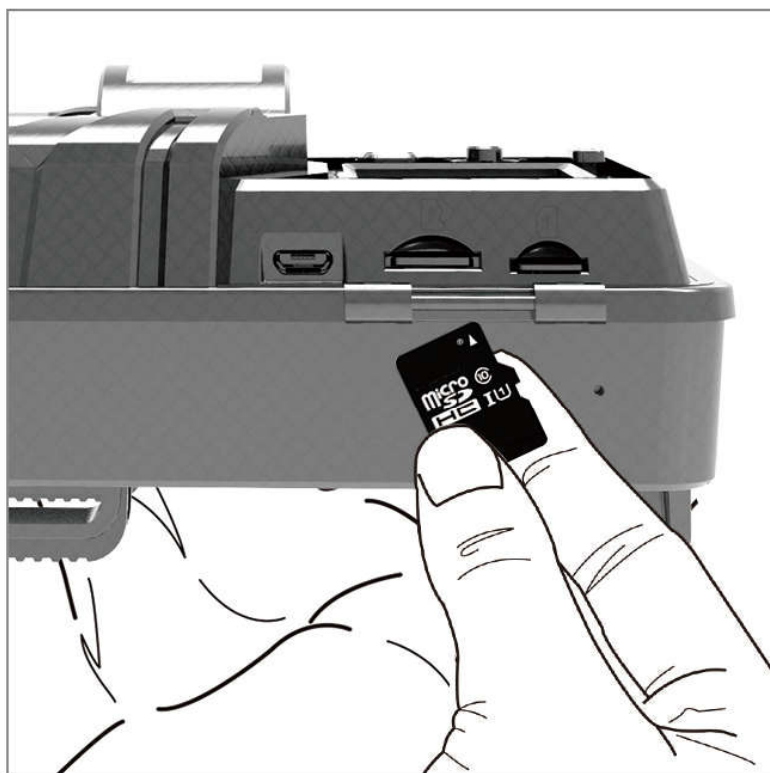




# MEMORY CARD INSTALL

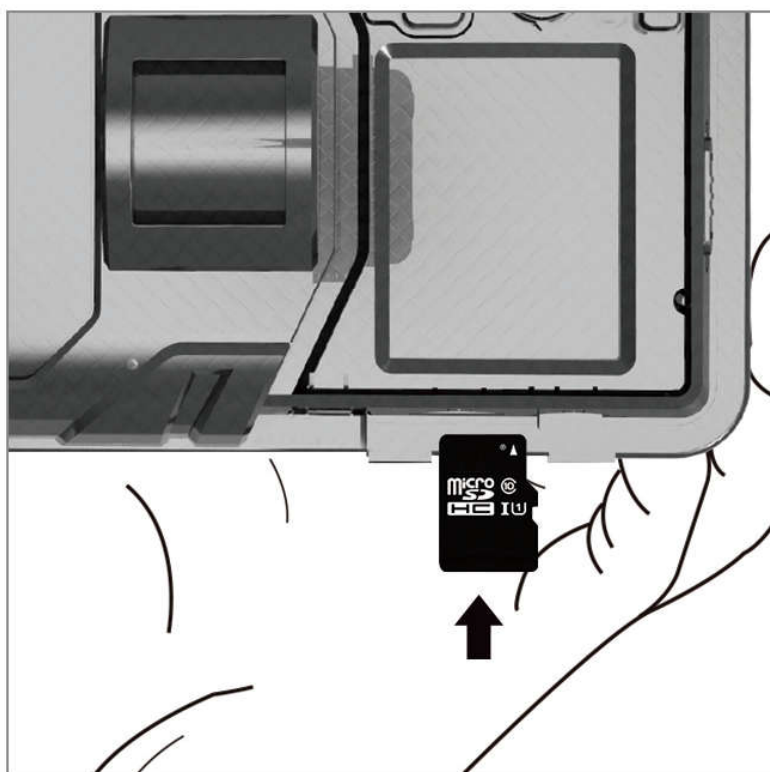
## INSTALL MICRO-SD CARD

1. Insert the Micro SD card (Max 64 GB) with the contacts facing away. The Micro SD card should slide in freely with little resistance. Continue pressing the card inward until you hear a click. This means the Micro SD card is locked in place and ready for use.



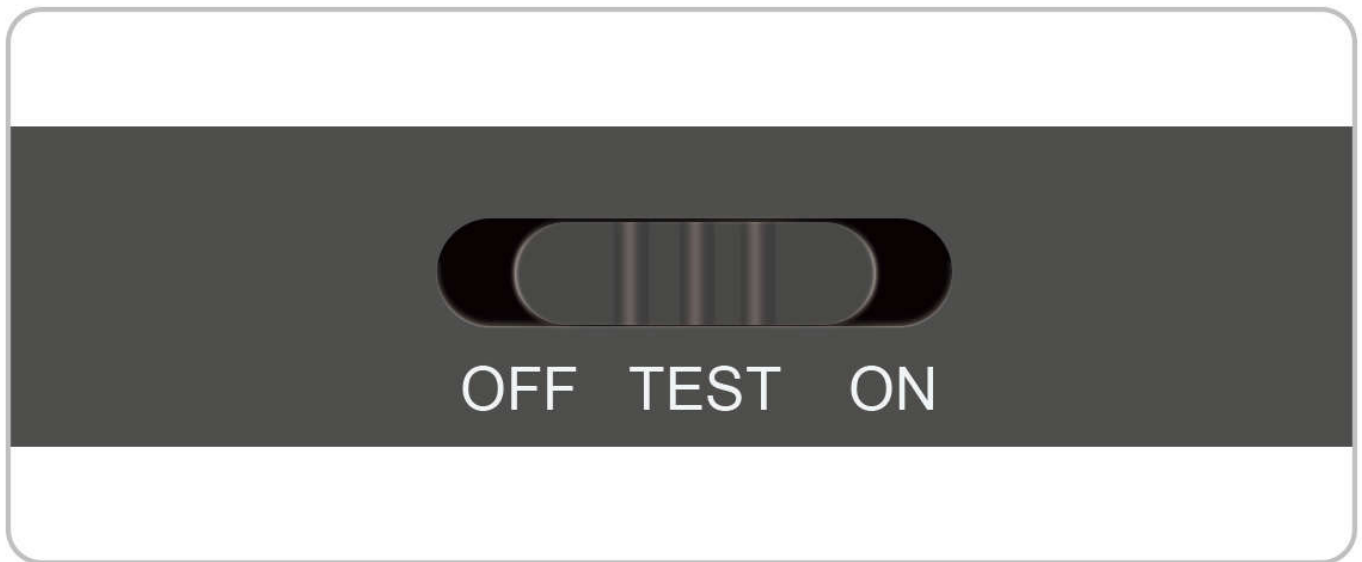
2. To remove Micro SD card, press the card inwards to release.

Caution: we recommend class6 & above high speed memory card, cheap memory card may damage the pictures and videos



## Power on

Slide Power Switch from OFF to TEST, camera screen power on (don't slide it from OFF to ON directly)



# CONTROL PANEL

## Under TEST Mode

- Press **MENU** to launch the system menu or exit.
- Press **SHUTTER** to manually trigger the shutter. A photo or video (depending on the mode) will be taken and saved to the memory card.
- The Rocker has 5 functions: **LEFT**, **RIGHT**, **UP**, **DOWN** and **OK**
- Press **RIGHT** to review photo or video, **UP / DOWN** to browse the pictures and videos and

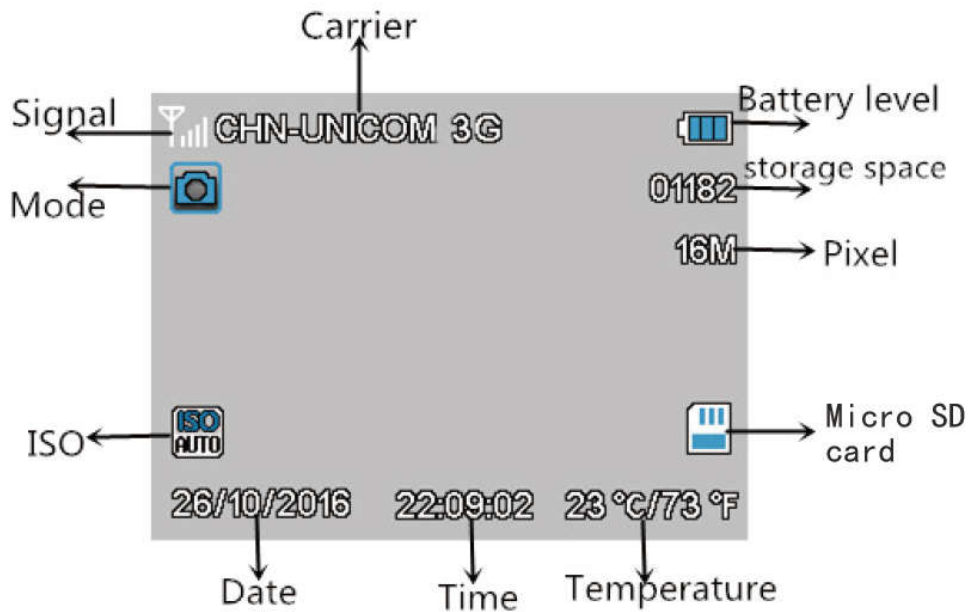
- Press **LEFT** to start and stop Video, Press **SHUTTER** to exit.
- Press **LEFT** directly to get the IMEI (in the TEST mode).



## ON

In this mode, the screen power off and remoter is useless. The camera works automatically. Will capture and send picture out if detected any motions by PIR.

## Screen Information Display



**Note:** To active its MMS or SMTP function, the camera should find signal and SIM card firstly.

In the Test mode, you can test the working area of PIR (Passive Infrared) sensor, specifically the sensing angle and distance. To perform the test:

- First position the camera at properly height and aim at the region of interest (ROI).
- Walk slowly from one side of the ROI to the other side parallel to the camera. Try different distances and angles from the camera.
- If the Motion Indicator flashes RED, it means that the position you located is detected by PIR sensors.
- The best position to place the camera could be found through this TEST mode. Generally, it is recommended to place the camera at the height of 3 to 6 feet (1 to 2 meters) to the ground.



## Camera Menu setting



<b>Camera</b>	<b>Resolution</b>	20MP, 16MP, 12 MP	Max 20 Megapixels image
	<b>Sequence</b>	1/3/6/9	Max 9 images each shot
	<b>ISO</b>	Auto, 100, 200, 400	Default is auto
	<b>Delay</b>	1/5/10/30 sec/min	Waiting time from the last taking
	<b>Camera ID</b>	0-0-0 0-0-0	You can rename your camera by 26 English letters(A~Z) or numbers (0~9)

## Video Menu setting



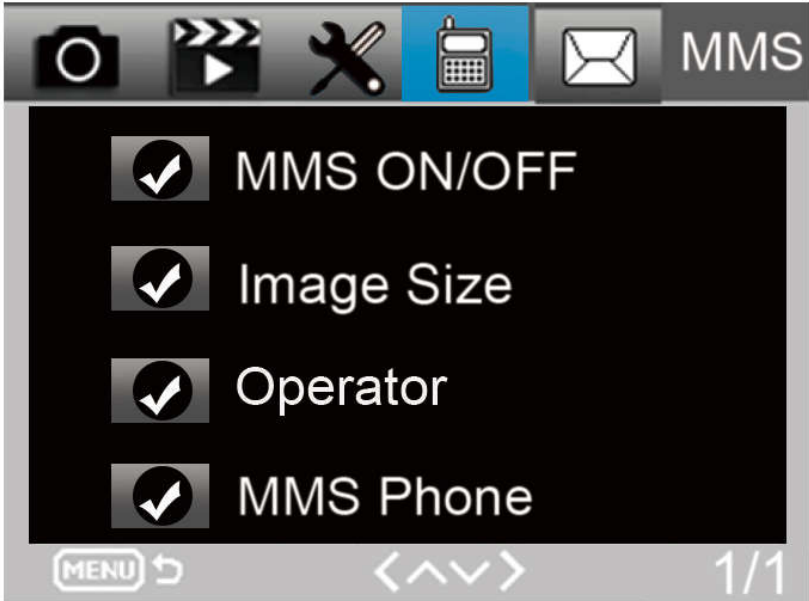
<b>Video</b>	<b>Resolution</b>	1080P,720P,WVGA, VGA	Video resolution
	<b>Video Length</b>	5S,10S,30S 60S,90S	Max 90 seconds video (default 5 seconds)
	<b>Record Audio</b>	On,Off	Record the audio when camera take videos (default ON)

## Setup Menu



<b>Setup</b>	<b>Mode</b>	Camera,video,camera &video,Timelaspe	4 shooting modes
	<b>Language</b>	English, Francais, Deutsch and so on	12 languages
	<b>Timelapse interval</b>	5min/30min/1h	Taking picture or video every 5min/30min/1h constantly
	<b>TV Mode</b>	NTSC,PAL	TV play mode
	<b>Motion detection</b>	High/Medium/Low	Change PIR sensitive to High,Medium or Low
	<b>Data/Time</b>	2019-02-03 16:37:25	Setup the camera date and time
	<b>Timer</b>	000 to 23 59 59	Camera work in a selected time for example, 8AM~6PM (default off)
	<b>Password</b>	****	4 digital numbers (default off)
	<b>Format</b>	SD Card	All files of memory card will be deleted
	<b>Default Setting</b>	Cancel/OK	Reset camera to default setting
	<b>Version</b>	03/02/2019 16:37:25	Firmware version

## MMS Menu



<b>MMS</b>	<b>MMS ON/OFF</b>	Off/On	MMS Off/On
	<b>Image Size</b>	Small/Normal/Big (Very important)	Size for transmitting picture Small<100KB Normal<150KB Big<200KB
	<b>Operator</b>	Set in MMSCONFIG	The sim card of local operator
	<b>MMS Phone</b>	Set in MMSCONFIG	Mobile phone number to receive mms
	<b>MMS E-mail</b>	Set in MMSCONFIG	Email account to receive mms



## SMTP Menu



<b>SMTP</b>	<b>SMTP ON/OFF</b>	Off/On	SMTP Off/On
	<b>FTP ON/OFF</b>	Off/On	FTP Off/On
	<b>Image Size</b>	Small/Normal/Big (Very important)	Size for transmitting picture Small<150KB Normal<200KB Big<full size pics
	<b>Operator</b>	Set in MMSCONFIG	The sim card of local operator
	<b>SMTP E-mail</b>	Set in MMSCONFIG	Email account to receive pictures

# MMSCONFIG SETTING

➡ Load CD into the computer

➡ Click the MMSCONFIG.exe file from MMSCONFIG folder



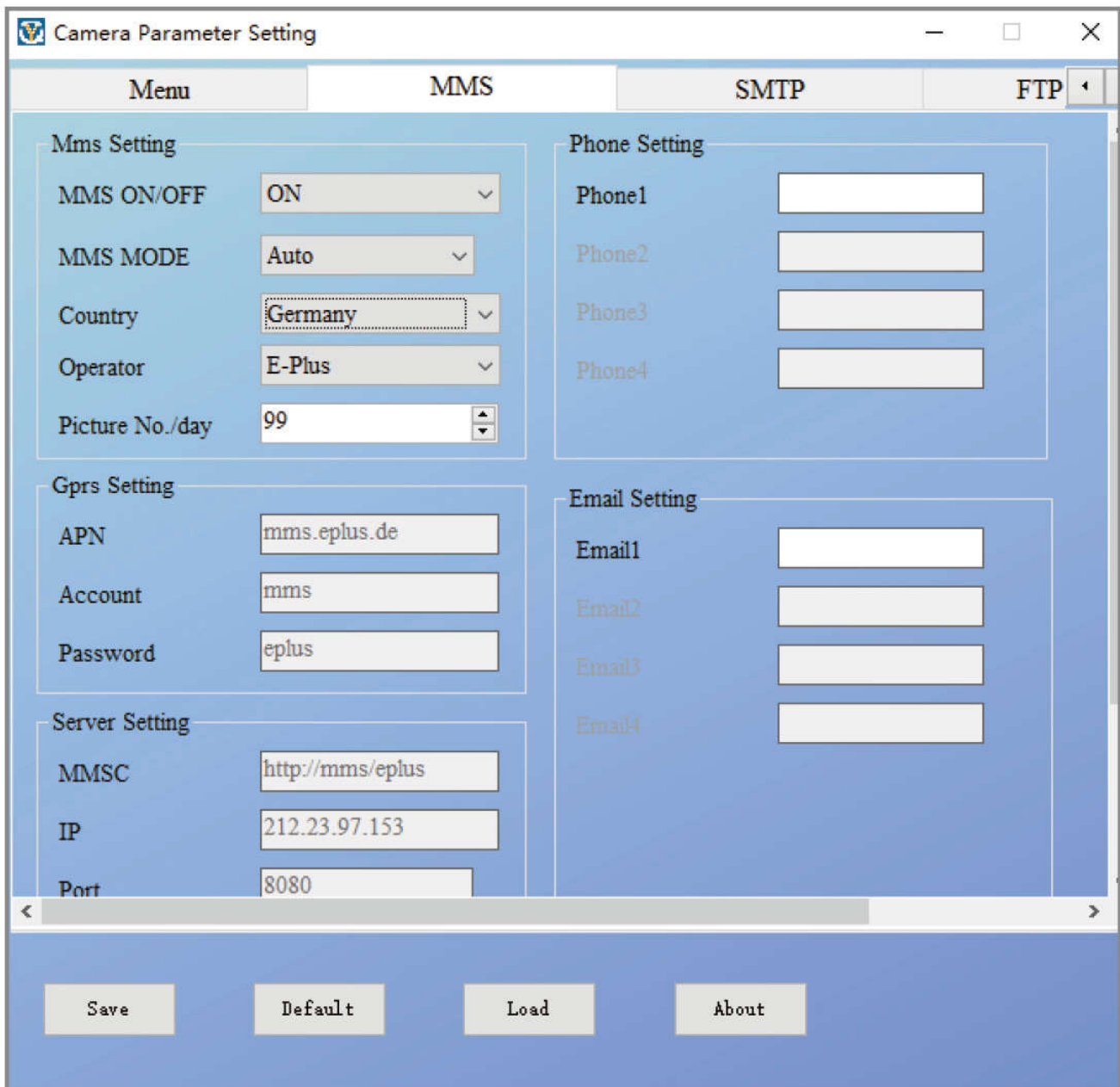
➡ Fix Camera, Video and System Menu Setting (the second way to set the menu)

➡ Fix MMS Setting

## MMS Auto Mode

In MMS Auto mode, there is configured information for selection

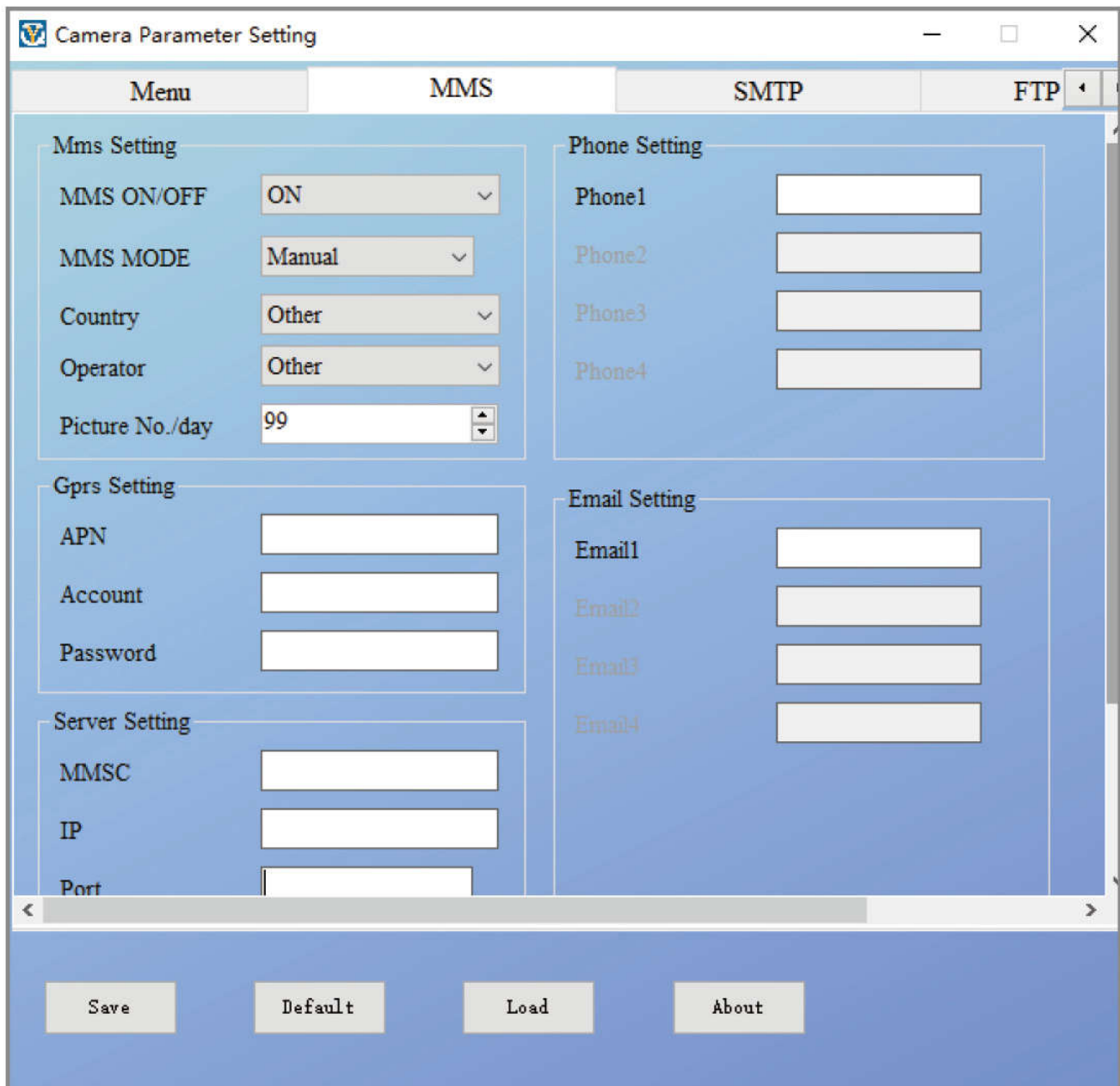
- a. Choose Country
- b. Choose Operator
- c. Fill in the phone number in the right-side blank column as receiver
- d. Fill in the email address for photos receiving



## MMS Manual Mode: :

If there is no configured information for selection, please choose Manual MMS Mode.

Firstly, User need to choose manual and contact SIM card carrier to get and fill in the APN, Account, Password, MMSC, IP and Port information. Secondly, fill in receiver phone number or E-mail address at right side.



## Fix SMTP Setting

This way of sending pictures is also called data transmission. It's highly popular now, the picture is sent from email to email, only charging the data cost.



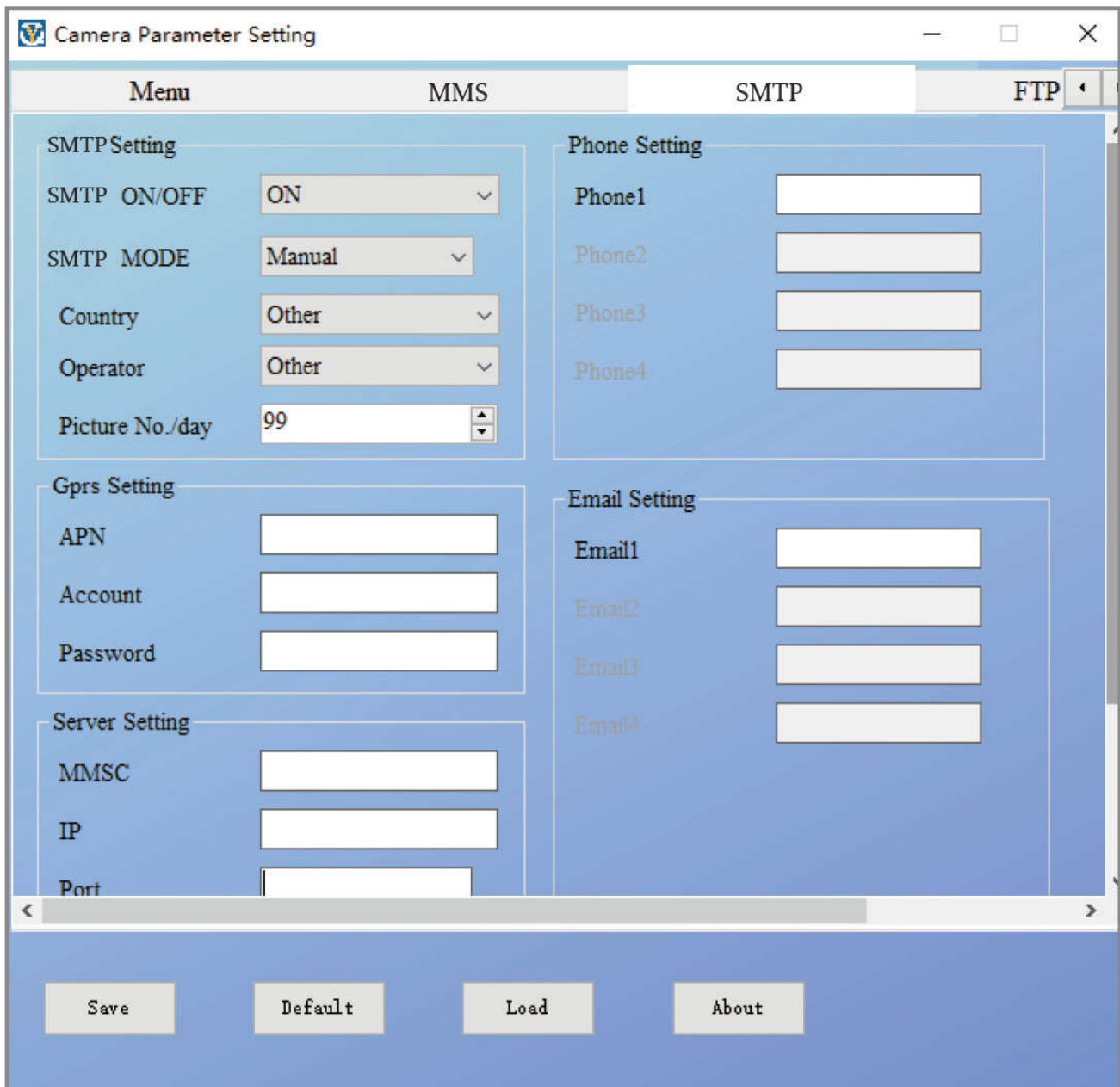
## SMTP Auto Mode

In SMTP auto mode, there is configured information for selection

- Choose Country
- Choose Operator
- Choose Type of email
- Add sending email address on the left
- Add sending email address password on the left
- Add receiving email address on the right

The screenshot shows the 'Camera Parameter Setting' window with the 'SMTP' tab selected. The window is divided into four main sections: 'Smtp Setting', 'Gprs Setting', 'Server Setting', and 'Email Setting'. At the bottom, there are four buttons: 'Save', 'Default', 'Load', and 'About'.

Section	Parameter	Value
Smtp Setting	SMTP ON/OFF	ON
	SMTP MODE	Auto
	Country	Austria
	Operator	A1
Gprs Setting	APN	A1.net
	Account	ppp@a1plus.at
	Password	ppp
Server Setting	Type	Other
	SSL Options	<input checked="" type="radio"/> No SSL <input type="radio"/> SSL <input type="radio"/> STARTTLS
	Server	
	Port	
	Password	
Email Setting	Email1	
	Email2	
	Email3	

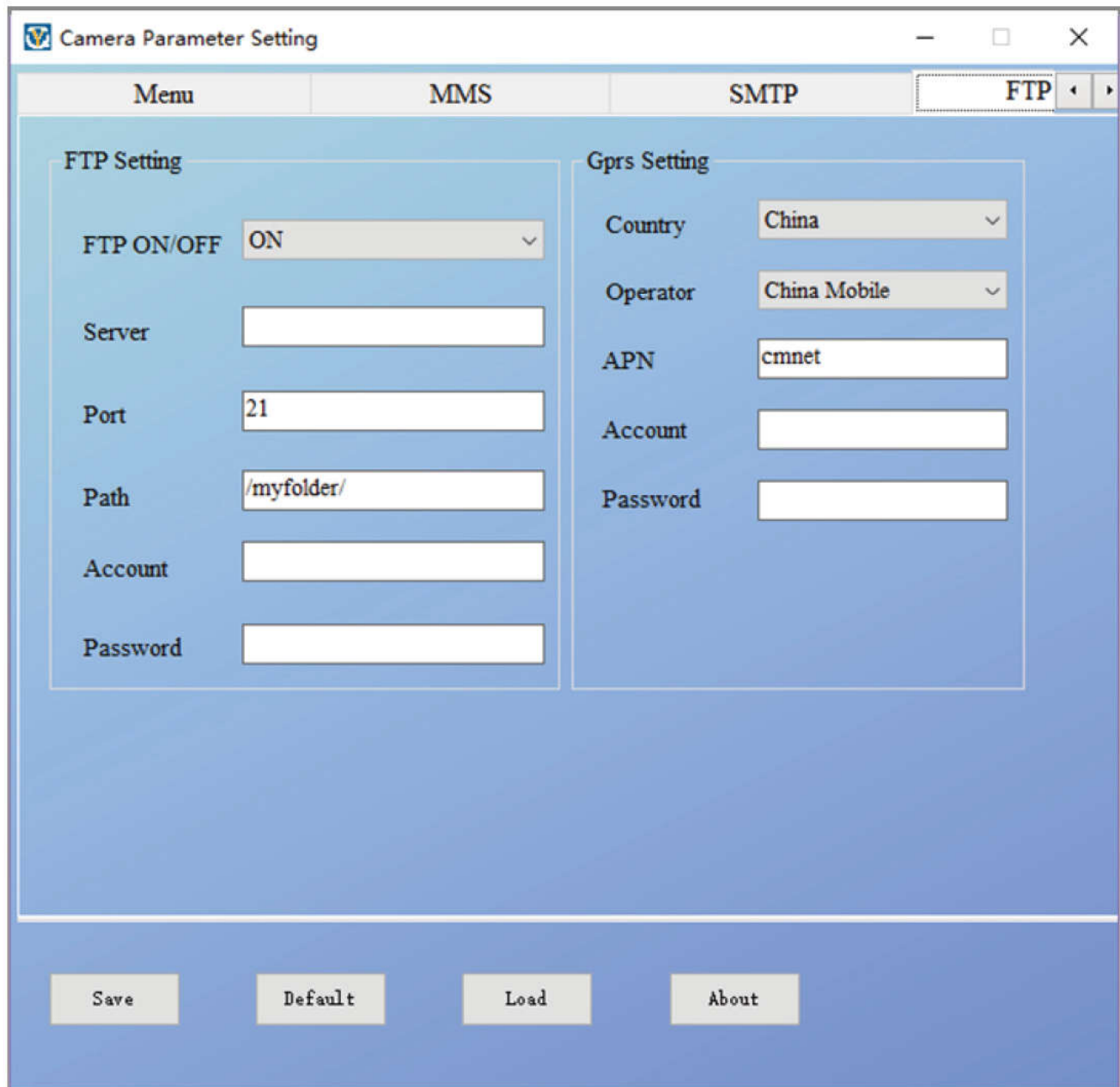


## SMTP Manual mode:

If there is no configured information for selection, please choose Manual SMTP Mode.

Firstly, User need to contact SIM card carrier to get APN, Account, Password information and fill in; contact sending email provider to get server, port information.

- a. Add sending email address on the left
- b. Add sending email address password on the left
- c. Add receiving email address on the right

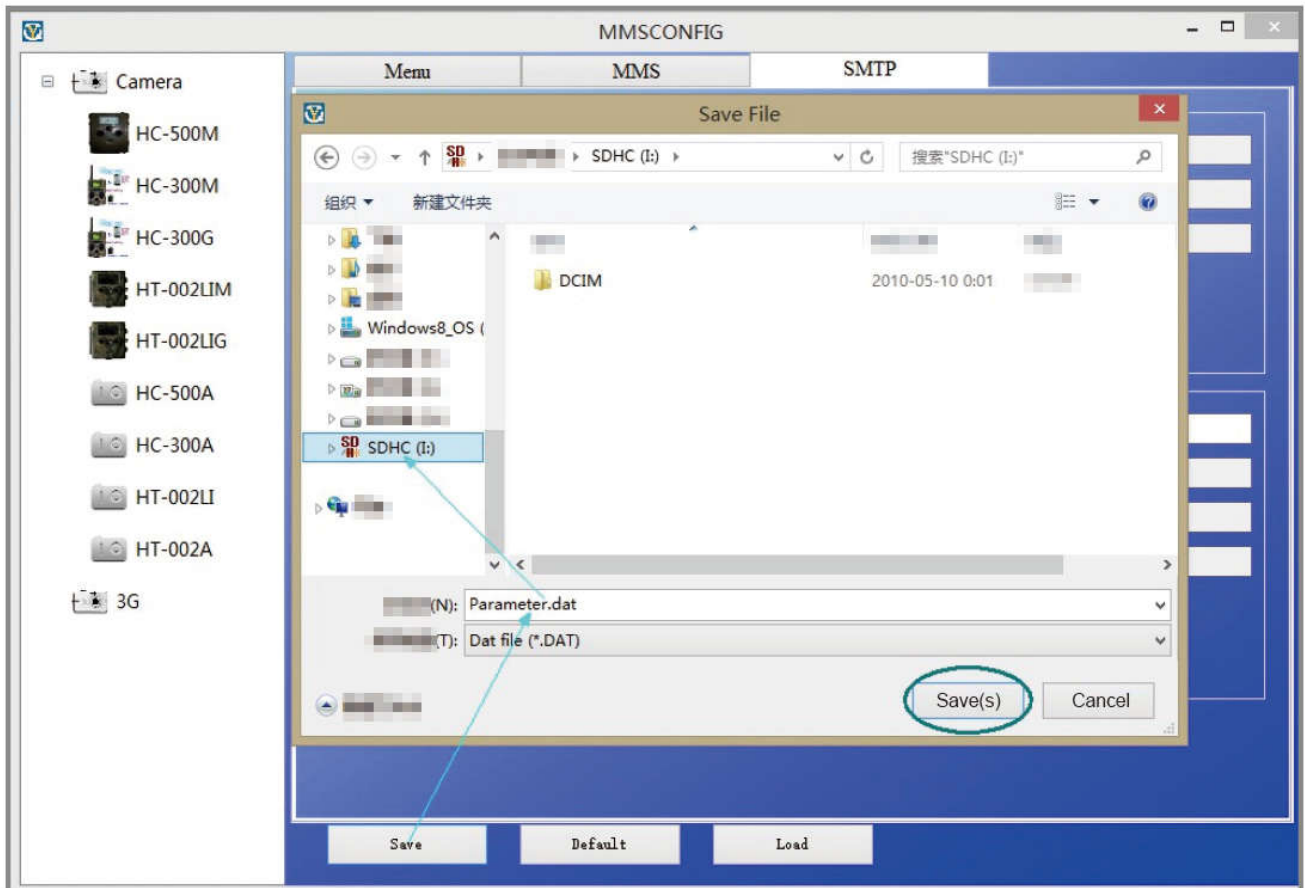


## FTP:

Please fill in your FTP address, port, account and password, the original video or pictures will be upload to your server automatically.

**Note:** The GRRS data setting of FTP will Synchronize with SMTP data.

## Save the file “Parameter. dat” to Micro SD card



# SMS COMMAND CODE

This Camera supports SMS remote control by sending SMS code as below:

### The SMS codes are:

<b>code</b>	<b>Function</b>	<b>Meaning</b>
<b>*530*</b>	Camera Start	Start Working
<b>*531*</b>	Camera Sleep	Stop Working
<b>*500*</b>	Capture	Camera takes a picture, then sends it to related phone or email(record on MMS,SMTP site)
<b>*505*</b>	Capture and get pic (MMS mode)	Camera take a picture, then sends it to current phone
<b>*520*</b>	Get Pic information	Camera send a a text with picture number, SD card capacity, battery lever.



# TROUBLE SHOOTING

## Camera Doesn't Capture Subject of Interest

- Check the PIR sensitivity. For warm environmental conditions, set the Sensor Level to “Low” and for cold weather use, set the sensor for “High”.
- Try to set your camera up in an area where no heat resources are in the camera's field of view.
- In some cases, set the camera near to water will make the camera take images with no subject in them.
- Try to aim the camera over ground.
- Try to set camera on stable and immovable objects, i.e.: large trees.
- At night, motion detector may detect beyond range of the IR illumination, reduce distance setting by adjusting sensor sensitivity.
- Rising sun or sunset can trigger sensor. Camera should be reoriented.

- If person/animal moves quickly, it may move out of the camera's field of view before photo is taken. Move camera further back or redirect camera.

### **Camera Stop Taking Images**

- Please make sure that the memory card has enough memory storage. If the card is full, camera will stop taking images.
- Check batteries to make sure that alkaline, NIMH or lithium AA batteries left power is enough for camera to work
- Make sure that the camera power switch is at the "On" position and not at the "Off" or "Test" modes.
- When MMS/SMTP function is on, there will be around 1minute interval for camera to send out photo before camera take the next photo.
- Please format the memory card when you first time to use it or change to use another memory card

## Night Vision Flash Range Doesn't Meet Expectation

- make sure that batteries are fully charged or left power is enough.
- High-quality 1.5V NIMH or Lithium rechargeable AA batteries can offer much better Infra flash range than alkaline batteries.
- To ensure accuracy and quality of night image, please try to mount camera on dark environment without obvious light sources.
- To ensure accuracy and quality of night time image, please mount camera to dark environment without any obvious light sources;
- Certain surroundings (like trees, walls, ground, etc.) within flash range can get you better night time images; please do not aim camera to total open field where there is nothing within IR flash range to reflect flash back, it's like shinning a flashlight into sky in night, you just can't see anything, same does camera.



## **Camera Take Images but won't send them to mobile phone /E-mail**

- If you choose manual mode, the info you fill in may has problem, Contact SIM card carrier to confirm all the info such as Apn, server, port is correct.
- When you turn on MMS function, it doesn't need to add international phone zone number before the phone number, just fill in your mobile phone number.
- When you turn on SMTP function, please make sure that your email's server and port is correct, some email server will reject email as SPAM, you can try to find your email at SPAM box or contact seller to get test email and have a try.
- Don't rename parameter.dat, you can check your phone number or E-mail by camera menu, please save parameter.dat at the boot of memory card, otherwise camera can 't recognizes the parameter.dat