
Electrovalva de gaz PNI GV10 1 inch

- Manual de utilizare -



Instructiuni de utilizare

1. Electrovalva poate fi actionata pentru inchidere in doua moduri:
 - a) Un impuls electric de 1 secunda (9 - 12V c.c.)
 - b) Prin apasarea butonului rosu (mai intai trebuie sa indepartati capacul protector din plastic).Dupa aceasta operatie, electrovalva ramane inchisa.
NOTA: Capacul protector trebuie sa ramana pus pe tot timpul folosirii electrovalvei.
2. Atunci cand electrovalva este inchisa, trageti de butonul rosu vertical in sus pentru a debloca electrovalva. Electrovalva va ramane deschisa.
3. Electrovalva se va inchide automat atunci cand primeste semnal de intrare de la senzor. Daca acest lucru nu se intampla, contactati furnizorul sau producatorul pentru reparatii.
4. Dupa inchiderea electrovalvei se va realiza o inspectie a instalatiei de gaz. Umblati cu prudenta atunci cand electrovalva trebuie repornita.

Recomandari pentru instalare

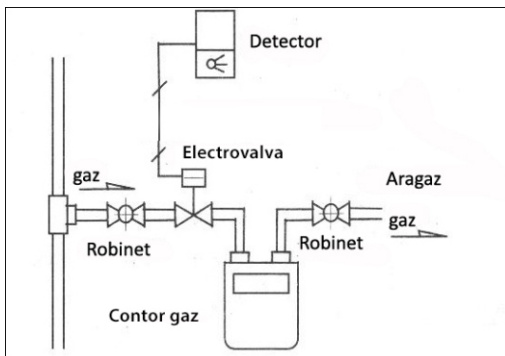
1. Electrovalva se va instala numai de catre personal calificat.
2. Electrovalva trebuie instalata dupa robinetul principal de gaz interior.
3. Electrovalva trebuie instalata in directia fluxului de gaz marcata pe supapa electrovalvei. Bobina nu trebuie montata cu fata in jos. Electrovalva poate fi instalata pe orizontala sau verticala.
4. Firele de control ale electrovalvei trebuie conectate corect. Firul alb este pozitiv, iar negru este negativ. Realizarea unei conexiuni incorecte poate duce la risc de scurtcircuit.
5. In timpul lucrarilor de mentenanta la teava de gaz, cum ar fi curatarea tevii cu presiune, electrovalva trebuie demontata pentru a evita defectiunile acesteia.
6. In timpul testelor de presiune, electrovalva trebuie deschisa.
7. Butonul de deschidere al electrovalvei poate fi tras vertical in sus atunci cand presiunile sunt egale (admisie si evacuare).
8. Polaritatea inversata si tensiunea gresita pot deteriora bobina electromagnetica a electrovalvei.

9. Garantia noastra nu include defectiuni ale electrovalvei datorate unei instalari defectuoase sau pierderea partilor componente.

10. Se recomanda instalarea impreuna cu un senzor de gaz care se conecteaza cu electrovalva plug & play (mufa in mufa).

Precautii

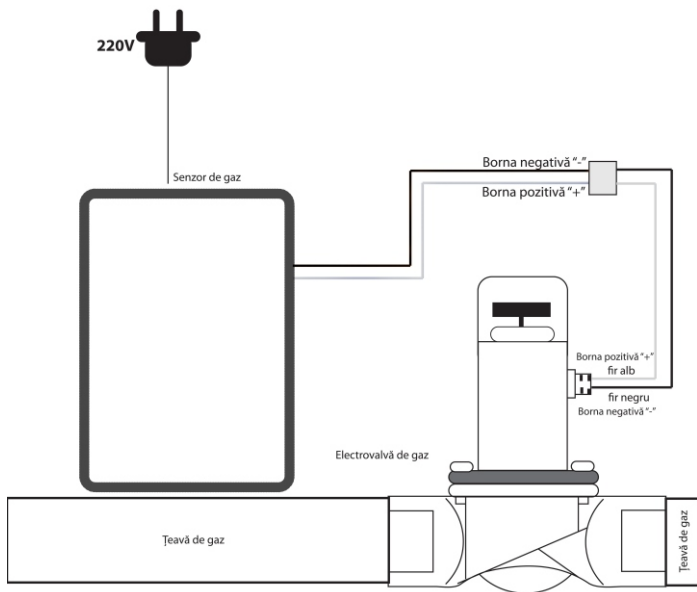
1. In cazul in care suruburile si saibele intra in contact cu apa sau chimicale, este necesara stergerea acestora pentru prevenirea coroziunii;
2. In cazul in care produsul este instalat total sau partial in afara, este recomandata protectia impotriva apei;
3. Capacul transparent are rolul de protectie impotriva actionarii accidentale a butonului rosu de actionare.



Conectarea senzorului cu electrovalva

Conectarea senzorului de gaz cu electrovalva se face mufa in mufa (plug & play) fara alte ajustari, inasa ambele produse se pot adapta si pentru alte aparate de tip electrovalva, respectiv senzor daca se schimba sistemul de mufare.

- A. Firul negru se conecteaza la "-" (masa) de la "-" electrovalvei.
- B. Firul alb se conecteaza la "+" (sarcina) de la "+" electrovalvei.
- C. Alimentarea cu energie se face la 220V c.c.



Recomandari pentru cablu

1. Cablu: bifilar, $3 \times 0.75 \text{ mm}^2$ sau mai mare
2. Lungimea cablului < 50 metri

Intretinere

Trebuie efectuată regulat o inspecție a aparatului. În caz de defect, contactați furnizorul pentru reparații imediate.

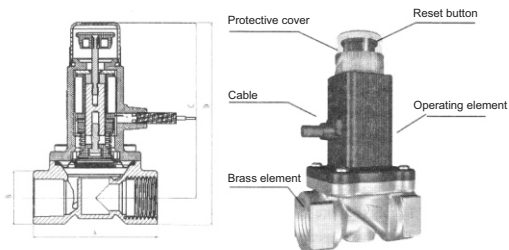
Declaratie UE de conformitate simplificata

SC ONLINESHOP SRL declara ca **Electrovalva de gaz PNI GV10 1 tol** este în conformitate cu Directiva EMC 2014/30/EU. Textul integral al declarației UE de conformitate este disponibil la următoarea adresă de internet:

<https://www.mypni.eu/products/4755/download/certifications>

ELECTROMAGNETISM VALVE - INSTRUCTIONS

The valve offers a safe solution stopping the gas in an emergency. It can be connected to a gas sensor for gas leak detection, a fire alarm circuit or other variants of gas sensors (such as wireless) for gas supply interruption (manually or automatically) in emergency. The valve features a locking system automatically detected when input voltages of 9-12 V. After closing, opening it is done manually by lifting vertically the red button. This function will ensure safety when there is a defect of the gas.



Technical details

Locking mode: current pulse or manual	Closing time: < 1 sec.
Material: Brass alloy	Power voltage: DC 9 ~ 12 V (Impulse)
Sealing material: rubber NBR	Cable length: 0.4 m
Operating temperature: -10°C +50 °C	
P max: 100 kPa	
Conection: G1" FI	
Manual activation	

Instructions for use

1. The valve can be operated in two modes to close:

a) An electrical impulse 1 second (9V c.c.)

b) By pressing the red button (you must first remove the protective plastic cover).

After this operation, the valve remains closed.

NOTE: The protective cover must always stay in place during the valve use.

2. When the valve is closed, pull the red button vertically upwards to unlock it. The valve remains open.

NOTE: The button can be operated by pulling vertically upwards if the gas pressure on both sides (intake and exhaust) is not balanced. Steps shall be taken to ensure that these two pressures are balanced; only then can rise up vertically button.

NOTE: Try not to force this button to not damage it.

3. The valve will close automatically when it receives input from the sensor. If this does not happen, contact the supplier or manufacturer.

4. After closing the valve, an inspection of the gas system should be made. Use caution when the valve must be restarted.

Recommendations for installation

1. The valve will be installed only by qualified personnel.

2. The valve should be installed after the main interior gas.

3. The valve must be installed in the gas flow direction marked on it. The coil should not be installed upside down. The valve can be installed horizontally or vertically.

4. The control wires must be connected correctly. White wire is positive and black is negative. Achieving incorrect connections may result in risk of short circuit.

5. During maintenance work on the gas pipe, such as pipe cleaning with pressure, the valve should be removed to avoid its failures.

6. During pressure testing, the valve should be open.

7. The opening button of the valve can be pulled up vertically when pressures are equal (intake and exhaust).

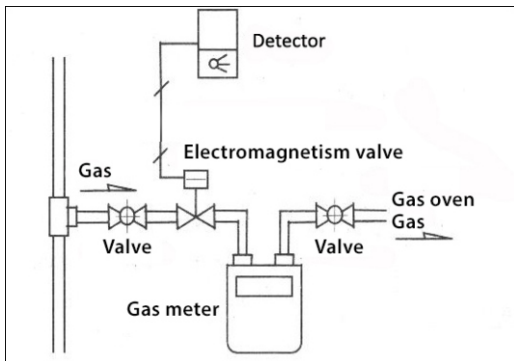
8. Reverse polarity and wrong voltage can damage the valve's electromagnetic coil.

9. Our guarantee does not cover damage due to improper installation or component parts loss.

10. We recommend installing the gas sensor with the plug & play valve. No changes needed.

Cautions

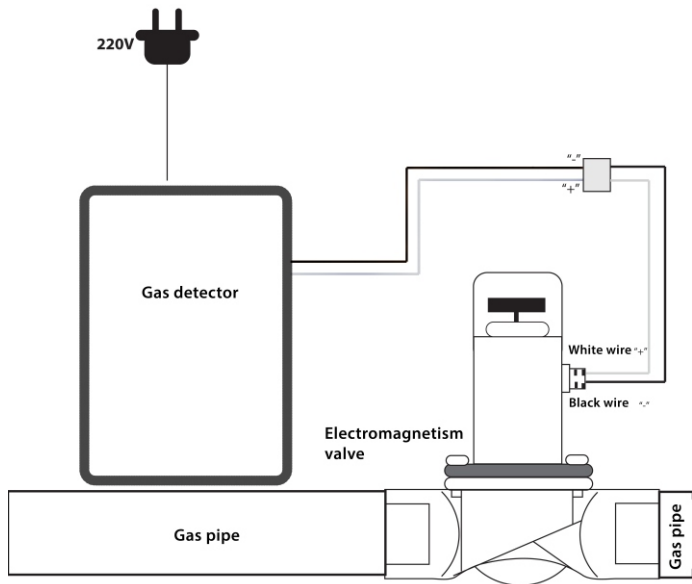
1. If the screws and washers come in contact with water or chemicals, it is necessary to clean them to prevent corrosion;
2. If the product is installed fully or partially outside, it is recommended to protect it against water;
3. The transparent cover is designed to protect against accidental actuation of the red button.



Connecting the gas detector with the electromagnetism valve

Connect valve and gas sensor through plug in jack (plug & play) without any adjustments. Both products can be adapted for other valve type devices or sensor if you change sleeve system.

- A. Black wire connects to “-”
- B. White wire connects to “+”
- C. The power supply is 220V dc



Cable recommendations

1. Cable: two-wire, $3 \times 0.75\text{mm}^2$ or higher
2. Cable length $< 50\text{ m}$

Maintenance

Carry out regular inspection of the unit. In case of defect, contact your dealer.

